

# BLOOK

There is beauty in simplicity, and this for sure takes place for this edition. Sharp lines of the products create a functional and clear design. Plus the BLOOK edition brings the option of bespoke adjustment - change of products proportions by clients wishing.



## PARAMETERS

**PRODUCT CODE: BLOOK-WW-03**

**DIMENSIONS:** 500mm / 300mm / 150mm

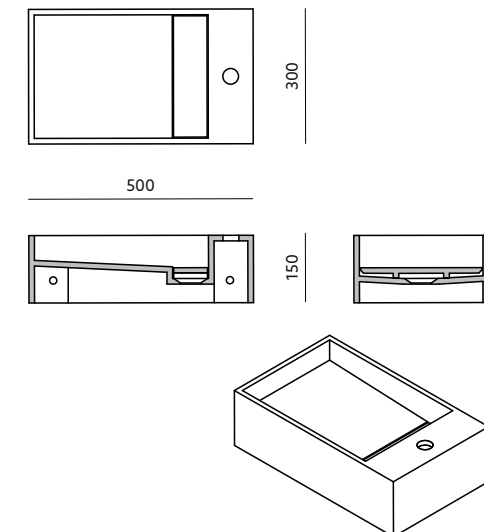
**WEIGHT:** 8kg

**MATERIAL:** artificial stone

**COLOR:** white

**SURFACE:** matte / shiny

## DRAWING



## CONTACT